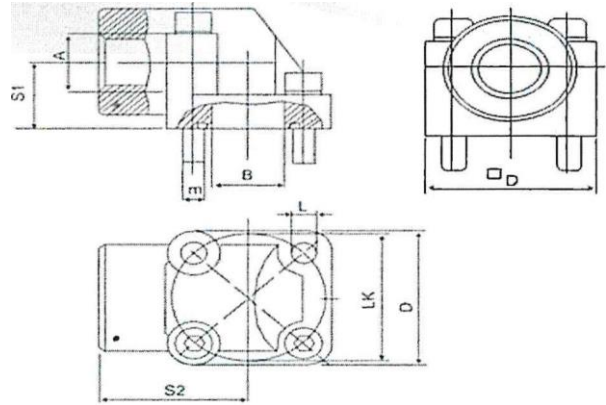


RACCORDI A 4 FORI A 90° FILETIATI GAS MADE IN TAIWAN
 BSP THREADED 90° CONNECTORS WITH 4 FIXING HOLES MADE IN TAIWAN



Model No	Dimensions								Screw	O-ring
	LK	A	B	D	S1	S2	L			
GF3590038MMI	35	R3/8"	13,5	42	18	40	6.5	2xM6x20 2xM6x35	3075	
GF3590012MMI	35	R 1/2"	13.5	42	18	40	6.5	2xM6x20 2xM6x35	3075	
GF4090012MMI	40	R 1/2"	20	45	24	45	6.5	2xM6x25 2xM6x45	3100	
G4090034MMI	40	R 3/4"	20	45	24	45	6.5	2xM6x25 2xM6x45	3100	
GF4090100MMI	40	R 1"	20	45	24	45	6.5	2xM6x25 2xM6x55	3100	
GF5590100MMI	55	R 1"	25	59	35	54	8.5	2xM8x25 2xM8x60	4118	
GF5590114MMI	55	R 1 1/4"	25	59	35	54	8.5	2xM8x25 2xM8x70	4118	

DESIGNAZIONE PER ORDINE
 DESIGNATION FOR ORDER

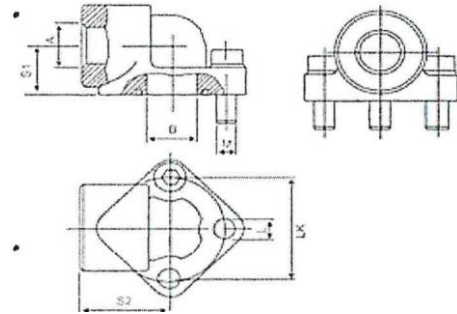
Materiale / Material
 SAE1021

NOTE / NOTES
 Rivestimento superficiale: zincatura Cr3
 Superficial coating: zinking Cr3

Raccordo con viti metriche 8.8, grower e o-ring NBR SH70
 Elbow with metric screws 8.8, grower type washers and o-ring NBR SH70

GF..90...MMI

RACCORDI A 4 FORI A 90° FILETTATI METRICI DIN 3901 - 3902 MADE IN TAIWAN
 DIN 3901- 3902 METRIC THREADED 90° CONNECTORS WITH 4 FIXING HOLES MADE IN TAIWAN



Model No.	Dimensions							Screw	O-ring	Weight Flange Only Kg.
	LK	A	B	S1	S2	L				
RP9005038MMI	26	R 3/8"	11	17	24	5.3	3xM5x20	2056	0.16	
RP9005012MMI	26	R 1/2"	11	17	24	5.3	3xM5x20	2056	0.15	
RP901038MMI	30	R 3/8"	12	17	24	6.3	3xM6x20	121	0.16	
RP901012MMI	30	R 1/2"	12	17	24	6.3	3xM6x20	121	0.15	
RP902012MMI	40	R 1/2"	19	21	36	8.5	3xM8x25	132	0.33	
RP902034MMI	40	R 3/4"	19	21	36	8.5	3xM8x25	132	0.31	
RP903A034MMI	51	R 3/4"	26	26	45	10.5	3xM10x30	3125	0.57	
RP903A100MMI	51	R 1"	26	26	45	10.5	3xM10x30	3125	0.52	
RP903B034MMI	56	R 3/4"	26	26	45	10.5	3xM10x30	3125	0.57	
RP903B100MMI	56	R 1"	26	26	45	10.5	3xM10x30	3125	0.52	

DESIGNAZIONE PER ORDINE
 DESIGNATION FOR ORDER

Materiale / Material
 SAE1021

NOTE / NOTES
 Rivestimento superficiale: zincatura Cr3
 Superficial coating: zinking Cr3

Raccordo con viti metriche 8.8, grower e o-ring NBR SH70
 Elbow with metric screws 8.8, grower type washers and o-ring NBR SH70

RP90...MMI