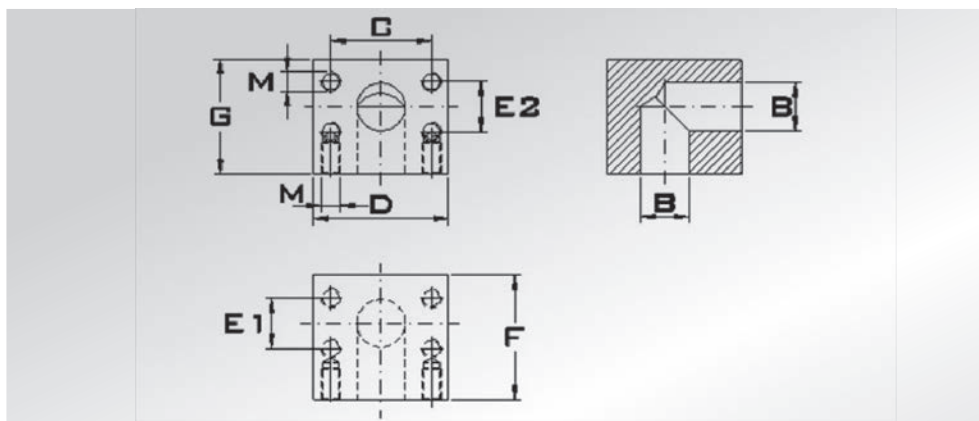




BLOCCHI SAE A "L"

SAE "L" BLOCKS



Pressione max di esercizio raccomandata Kg/cm ²	Grandezza	Tipo	Dimensioni							Peso Kg	
Maximum recommended working pressure Kg/cm ²	Size	Type	Dimensions							Weight Kg	
			B	C	D	E1	E2	F	G	M	

SERIE 3000

345	1/2"	LBL301	13	38,10	50	17,48	17,48	55	48	M08	0,93
345	3/4"	LBL302	19	47,63	65	22,23	22,23	59	59	M10	1,56
345	1"	LBL303	24	52,37	72	26,19	26,19	64	64	M10	1,99
276	1"1/4	LBL304	32	58,72	85	30,18	30,18	82	80	M10	3,84
207	1"1/2	LBL305	38	69,85	100	35,71	35,71	92	92	M12	5,56
207	2"	LBL306	51	77,77	102	42,88	42,88	85	87	M12	4,30
172	2"1/2	LBL307	62	88,90	110	50,80	50,80	119	110	M12	8,39
138	3"	LBL308	73	106,38	140	61,93	61,93	135	150	M16	17,1
34	3"1/2	LBL309	89	120,65	150	69,85	69,85	145	145	M16	17,9

SERIE 6000

400	1/2"	LBL601	13	40,49	60	18,24	18,24	59	50	M08	1,28
400	3/4"	LBL602	19	50,80	72	23,80	23,80	59	55	M10	1,62
400	1"	LBL603	23	57,15	82	27,76	27,76	72	72	M12	2,95
400	1"1/4	LBL604	32	66,68	96	31,75	31,75	74	74	M14	3,44
400	1"1/2	LBL605	38	79,38	114	36,50	36,50	86	89	M16	5,72
400	2"	LBL606	50	96,82	133	44,45	44,45	107	107	M20	9,44
400	2"1/2	LBL607	62	123,80	180	58,70	58,70	155	159	M24	30,1
400	3"	LBL608	73	152,40	208	71,40	71,40	178	178	M30	44,8

DESIGNAZIONE PER ORDINE DESIGNATION FOR ORDER

Blocco sae a "L"
Sae "L" block

Materiale / Material

S355

LBL...

NOTE / NOTES

AISI316L su richiesta
AISI316L on request