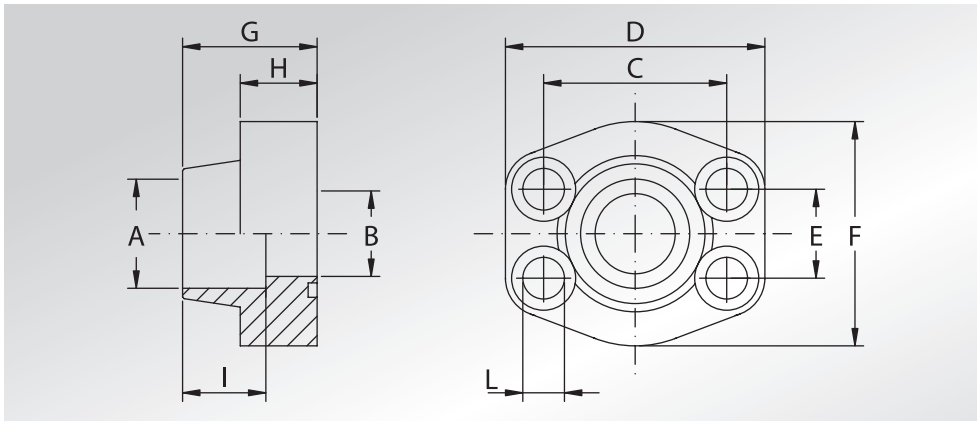


**FLANGE
A SALDARE
DI TASCA**



**WELD IN
FLANGES**



Pressione max di esercizio raccomandata Kg/cm ²	Grandezza	Tipo	Dimensioni										Viti		Or tipo	Peso Kg
Maximum recommended working pressure Kg/cm ²	Size	Type	Dimensions										Screws		Or type	Weight Kg
			A	B	C	D	E	F	G	H	I	L	Metric	Unc		

SERIE 3000

345	1/2"	AFS080S	21,6	13	38,10	57	17,48	46	36	16	19	9	M8x30	5/16"x1"1/4	4075	0,25
345	1/2"	AFS080S038	17,5	13	38,10	57	17,48	46	36	16	19	9	M8x30	5/16"x1"1/4	4075	0,27
345	3/4"	AFS100S	27,2	19	47,63	65	22,23	50	36	18	19	11	M10x35	3/8"x1"1/2	4100	0,37
345	1"	AFS102S	34,0	25	52,37	70	26,19	55	38	18	19	11	M10x35	3/8"x1"1/2	4131	0,45
276	1"1/4	AFS104S	42,8	32	58,72	79	30,18	68	41	21	22	11,5	M10x40	7/16"x1"3/4	4150	0,66
207	1"1/2	AFS106S	48,6	38	69,85	93	35,71	78	45	25	24	13,5	M12x45	1/2"x1"3/4	4187	1,03
207	2"	AFS108S	61,0	51	77,77	102	42,88	90	45	25	26	13,5	M12x45	1/2"x1"3/4	4225	1,17
172	2"1/2	AFS110S	76,6	63	88,90	114	50,80	105	50	25	30	13,5	M12x45	1/2"x1"3/4	4275	1,53
138	3"	AFS112S	90,5	73	106,38	134	61,93	124	50	27	34	17,5	M16x50	5/8"x2"	4337	2,09
34	3"1/2	AFS114S	103,0	89	120,65	152	69,85	136	48	27	34	17,5	M16x50	5/8"x2"	4387	2,35
34	4"	AFS116S	115,5	99	130,18	162	77,77	146	48	27	34	17,5	M16x50	5/8"x2"	4437	2,70
34	5"	AFS118S	142,0	120	152,40	184	92,08	180	50	28	28	17,5	M16x55	5/8"x2"1/4	4537	5,80

SERIE 6000

414	1/2"	AFS401S012	21,6	13	40,49	57	18,24	46	36	16	19	9	M8x30	5/16"x1"1/4	4075	0,25
414	1/2"	AFS401S038	17,5	13	40,49	57	18,24	46	36	16	19	9	M8x30	5/16"x1"1/4	4075	0,27
414	3/4"	AFS402S	27,2	19	50,80	71	23,80	55	35	21	22	11	M10x40	3/8"x1"1/2	4100	0,51
414	1"	AFS403S	34,0	25	57,15	81	27,76	65	42	25	22	13	M12x45	7/16"x1"3/4	4131	0,80
375	1"1/4	AFS404S	42,8	32	66,68	95	31,75	78	45	27	25	15	M14x45	-	4150	1,13
375	1"1/4	AFS404SL13	42,8	32	66,68	95	31,75	78	45	27	25	13,5	M12x45	1/2"x1"3/4	4150	1,13
320	1"1/2	AFS405S	48,6	38	79,38	112	36,50	94	50	30	28	17	M16x55	5/8"x2"1/4	4187	1,86
250	2"	AFS406S	61,0	51	96,82	134	44,45	114	65	37	24	21	M20x70	3/4"x2"3/4	4225	3,30
230	2"1/2	AFS507S *	76,6	63	123,80	180	58,70	152	80	48	30	26	M24x80	7/8"x3"1/4	4275	7,00
200	3"	AFS508S *	90,5	73	152,40	208	71,40	178	90	58	31	33	M30x100	1"1/8"x3"1/2	4337	11,2

La pressione di esercizio massima raccomandata si basa sulla flangia.

La massima pressione di lavoro del sistema è determinata dallo spessore e dal tipo di materiale del tubo utilizzato.

The maximum recommended working pressure is based on the flange.

The working pressure of the system is determined by the thickness and the steel quality of the pipe.

DESIGNAZIONE PER ORDINE DESIGNATION FOR ORDER	Materiale / Material	
	S355	AISI 316L
Solo flangia Only flange	AFS...S	AFX...S
Flangia completa di viti metriche, grower e o-ring Flange complete of metric screws, grower type washers and o-ring	AFS...SM	AFX...SM
Flangia completa di viti unc, grower e o-ring Flange complete of unc screws, grower type washers and o-ring	AFS...SU	AFX...SU

NOTE / NOTES

set viti unc disponibili solo in acciaio al carbonio
unc screws set available only in carbon steel

*set viti disponibili solo metriche in acciaio al carbonio
*screws set available only metric in carbon steel