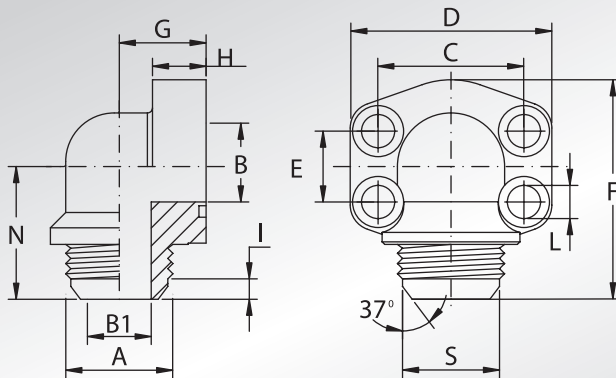




FLANGE A 90° FILETTATE JIC

JIC THREADED 90° FLANGES



Pressione max di esercizio raccomandata Kg/cm ²	Grandezza	Tipo	Dimensioni													Viti		Or tipo	Peso Kg
Maximum recommended working pressure Kg/cm ²	Size	Type	Dimensions													Screws		Or type	Weight Kg
			A	B	B1	C	D	E	F	G	H	I	L	N	S	Metric	Unc		

SERIE 3000

345	1/2"	AFS08090J034	3/4"	- 16UNF	13	9,90	38,10	54	17,48	60	20	16	6,4	9	37	10,82	M8x30	5/16"x1"1/4	4075	0,25
345	1/2"	AFS08090J078	7/8"	- 14UN	13	12,30	38,10	54	17,48	60	20	16	6,8	9	37	13,69	M8x30	5/16"x1"1/4	4075	0,25
345	3/4"	AFS10090J	1"1/16	- 12UN	19	15,50	47,63	65	22,23	64	24	18	8,0	11	39	16,87	M10x35	3/8"x1"1/2	4100	0,38
345	1"	AFS10290J	1"5/16	- 12UN	25	21,50	52,37	70	26,19	71	28	19	8,0	11	44	23,19	M10x35	3/8"x1"1/2	4131	0,49
276	1"1/4	AFS10490J	1"5/8	- 12UN	32	27,50	58,72	79	30,18	86	34	21	9,3	11,5	52	29,13	M10x40	7/16"x1"3/4	4150	0,77
207	1"1/2	AFS10690J	1"7/8	- 12UN	38	33,00	69,85	93	35,71	96	38	25	9,6	13,5	57	35,08	M12x45	1/2"x1"3/4	4187	1,10

SERIE 6000

414	1/2"	AFS40190J034	3/4"	- 16UNF	13	9,90	40,49	54	18,24	60	20	16	6,4	9	37	10,82	M8x30	5/16"x1"1/4	4075	0,28
414	1/2"	AFS40190J078	7/8"	- 14UN	13	12,30	40,49	54	18,24	60	20	16	6,8	9	37	13,69	M8x30	5/16"x1"1/4	4075	0,28
414	3/4"	AFS40290J	1"1/16	- 12UN	19	15,50	50,80	70	23,80	71	28	19	8,0	11	44	16,87	M10x40	3/8"x1"1/2	4100	0,69
414	1"	AFS40390J	1"5/16	- 12UN	25	21,50	57,15	79	27,76	85	34	21	8,0	13	51	23,19	M12x45	7/16"x1"3/4	4131	1,11
414	1"1/4	AFS40490J	1"5/8	- 12UN	32	27,50	66,68	93	31,75	96	38	25	9,3	15	57	29,13	M14x45	-	4150	1,45
414	1"1/4	AFS40490JL13	1"5/8	- 12UN	32	27,50	66,68	93	31,75	96	38	25	9,3	13,5	57	29,13	M12x45	1/2"x1"3/4	4150	1,45
414	1"1/2	AFS40590J	1"7/8	- 12UN	38	33,00	79,38	110	36,50	111	42	25	9,6	17	66	35,08	M16x55	5/8"x2"1/4	4187	2,75

DESIGNAZIONE PER ORDINE DESIGNATION FOR ORDER	Materiale / Material	
	S355	AISI 316L
Solo flangia Only flange	AFS...90J	AFX...90J
Flangia completa di viti metriche, grower e o-ring Flange complete of metric screws, grower type washers and o-ring	AFS...90JM	AFX...90JM
Flangia completa di viti unc, grower e o-ring Flange complete of unc screws, grower type washers and o-ring	AFS...90JU	AFX...90JU

NOTE / NOTES

set viti unc disponibili solo in acciaio al carbonio
unc screws set available only in carbon steel