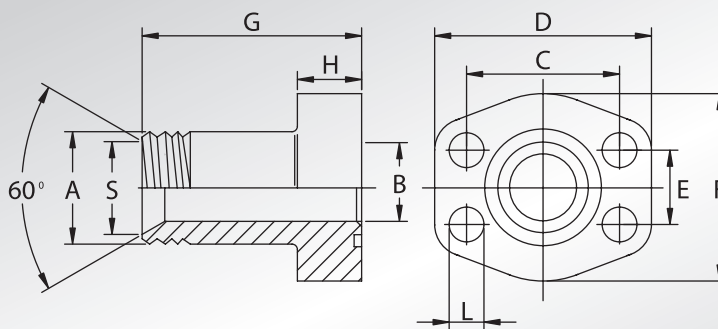




# FLANGE A TENUTA CONICA A 60° FILETTATE GAS

## 60° TAPERED SEAT BSP THREADED FLANGES



Pressione max di esercizio raccomandata Kg/cm <sup>2</sup>	Grandezza	Tipo	Dimensioni										Viti		Or tipo	Peso Kg
Maximum recommended working pressure Kg/cm <sup>2</sup>	Size	Type	Dimensions										Screws		Or type	Weight Kg
			A	B	C	D	E	F	G	H	L	S	Metric	Unc		

### SERIE 3000

345	1/2"	AFS080B	1/2" GAS	11,50	38,10	54	17,48	46	52	13	9	17,5	M8x30	5/16"x1"1/4	4075	0,25
344	1/2"	AFS080B038	3/8" GAS	8,50	38,10	54	17,48	46	52	13	9	14,0	M8x30	5/16"x1"1/4	4075	0,25
345	3/4"	AFS100B	3/4" GAS	17,00	47,63	65	22,23	50	60	14	11,5	22,9	M10x35	3/8"x1"1/2	4100	0,36
345	3/4"	AFS100B012	1/2" GAS	11,50	47,63	65	22,23	50	60	14	11,5	17,5	M10x35	3/8"x1"1/2	4100	0,36
345	1"	AFS102B	1" GAS	22,00	52,37	70	26,19	55	63	16	11,5	28,7	M10x35	3/8"x1"1/2	4131	0,50
345	1"	AFS102B034	3/4" GAS	17,00	52,37	70	26,19	55	63	16	11,5	22,9	M10x40	3/8"x1"1/2	4131	0,50
276	1"1/4	AFS104B	1"1/4 GAS	28,50	58,72	79	30,18	68	65	14	11,5	36,8	M10x35	7/16"x1"3/4	4150	0,72
276	1"1/4	AFS104B100	1" GAS	22,00	58,72	79	30,18	68	65	14	11,5	28,7	M10x35	7/16"x1"3/4	4150	0,72
207	1"1/2	AFS106B	1"1/2 GAS	34,00	69,85	94	35,71	78	70	16	13,5	42,7	M12x35	1/2"x1"3/4	4187	1,00
207	1"1/2	AFS106B114	1"1/4 GAS	28,50	69,85	94	35,71	78	70	16	13,5	36,8	M12x35	1/2"x1"3/4	4187	1,00

### SERIE 6000

414	1/2"	AFS401B012	1/2" GAS	11,50	40,49	56	18,24	48	60	16	9	17,5	M8x30	5/16"x1"1/4	4075	0,33
414	1/2"	AFS401B038	3/8" GAS	8,50	40,49	56	18,24	48	60	16	9	14,0	M8x30	5/16"x1"1/5	4075	0,33
414	3/4"	AFS402B	3/4" GAS	17,00	50,80	71	23,80	60	73	19	11,5	22,9	M10x40	3/8"x1"1/2	4100	0,68
414	3/4"	AFS402B012	1/2" GAS	11,50	50,80	71	23,80	60	73	19	11,5	17,5	M10x40	3/8"x1"1/3	4100	0,68
414	1"	AFS403B	1" GAS	22,00	57,15	81	27,76	70	82	24	13	28,7	M12x45	7/16"x1"3/4	4131	1,00
414	1"	AFS403B034	3/4" GAS	17,00	57,15	81	27,76	70	82	24	13	22,9	M12x45	7/16"x1"3/5	4131	1,00
414	1"1/4	AFS404B	1"1/4 GAS	28,50	66,68	95	31,75	78	92	27	15	36,8	M14x45	-	4150	1,60
414	1"1/4	AFS404BL13	1"1/4 GAS	28,50	66,68	95	31,75	78	92	27	13,5	36,8	M12x45	1/2"x1"3/4	4150	1,60
414	1"1/4	AFS404B100	1" GAS	22,00	66,68	95	31,75	78	92	27	15	28,7	M14x45	-	4150	1,60
414	1"1/4	AFS404B100L13	1" GAS	22,00	66,68	95	31,75	78	92	27	13,5	28,7	M12x45	1/2"x1"3/5	4150	1,60
414	1"1/2	AFS405B	1"1/2 GAS	34,00	79,38	113	36,50	95	96	30	17	42,7	M16x55	5/8"x2"1/4	4187	2,20
414	1"1/2	AFS405B114	1"1/4 GAS	28,50	79,38	113	36,50	95	96	30	17	36,8	M16x55	5/8"x2"1/4	4187	2,20

DESIGNAZIONE PER ORDINE DESIGNATION FOR ORDER	Materiale / Material	
	S355	AISI316L
Solo flangia Only flange	<b>AFS...B</b>	<b>AFX...B</b>
Flangia completa di viti metriche, grower e o-ring Flange complete of metric screws, grower type washers and o-ring	<b>AFS...BM</b>	<b>AFX...BM</b>
Flangia completa di viti unc, grower e o-ring Flange complete of unc screws, grower type washers and o-ring	<b>AFS...BU</b>	<b>AFX...BU</b>

### NOTE / NOTES

set viti unc disponibili solo in acciaio al carbonio  
unc screws set available only in carbon steel