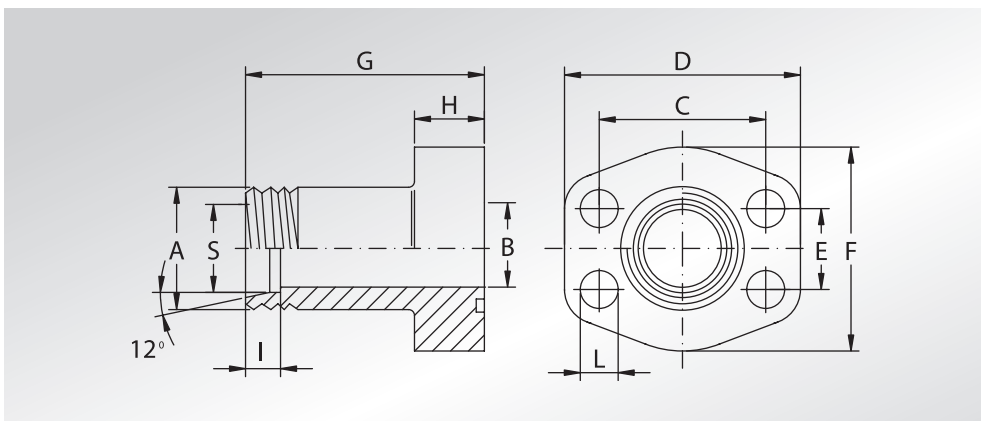




**FLANGE FILETATE
METRICHE CON
ATTACCO
DIN 3901-3902**

**DIN 3901-3902
METRIC THREADED
FLANGES**



Pressione max di esercizio raccomandata Kg/cm ²	Grandezza	Tipo	Dimensioni											Viti		Or tipo	Peso Kg
Maximum recommended working pressure Kg/cm ²	Size	Type	Dimensions											Screws		Or type	Weight Kg
			A	B	C	D	E	F	G	H	I	L	S	Metric	Unc		

SERIE 3000

345	1/2"	AFS080E	M22x1,5	12	38,10	54	17,48	46	52	13	7	9	15	M8x30	5/16"x1"1/4	4075	0,25
345	3/4"	AFS100E	M30x2	19	47,63	65	22,23	50	60	14	7,5	11,5	22	M10x30	3/8"x1"1/2	4100	0,36
345	1"	AFS102E	M36x2	24	52,37	70	26,19	55	63	16	7,5	11,5	28	M10x35	3/8"x1"1/2	4131	0,50
276	1"1/4	AFS104E	M45x2	29	58,72	79	30,18	68	65	14	10,5	11,5	35	M10x35	7/16"x1"3/4	4150	0,71
207	1"1/2	AFS106E	M52x2	36	69,85	94	35,71	78	70	16	11	13,5	42	M12x35	1/2"x1"3/4	4187	1,02

SERIE 6000

414	1/2"	AFS401E	M24x1,5	12	40,49	56	18,24	48	60	16	8,5	9	16	M8x30	5/16"x1"1/4	4075	0,33
414	3/4"	AFS402E	M36x2	19	50,80	71	23,80	60	73	19	12	11,5	25	M10x40	3/8"x1"1/2	4100	0,68
414	1"	AFS403E	M42x2	25	57,15	81	27,76	70	82	24	13,5	13	30	M12x45	7/16"x1"3/4	4131	1,03
414	1"1/4	AFS404E	M52x2	29	66,68	95	31,75	78	92	27	16	15	38	M14x45	-	4150	1,66
414	1"1/4	AFS404EL13	M52x2	29	66,68	95	31,75	78	92	27	16	13,5	38	M12x45	1/2"x1"3/4	4150	1,66
414	1"1/2	AFS405E	M52x2	32	79,38	113	36,50	95	96	30	16	17	38	M16x55	5/8"x2"1/4	4187	2,23

DESIGNAZIONE PER ORDINE DESIGNATION FOR ORDER	Materiale / Material	
	S355	AISI316L
Solo flangia Only flange	AFS...E	AFX...E
Flangia completa di viti metriche, grower e o-ring Flange complete of metric screws, grower type washers and o-ring	AFS...EM	AFX...EM
Flangia completa di viti unc, grower e o-ring Flange complete of unc screws, grower type washers and o-ring	AFS...EU	AFX...EU

NOTE / NOTES

set viti unc disponibili solo in acciaio al carbonio
unc screws set available only in carbon steel