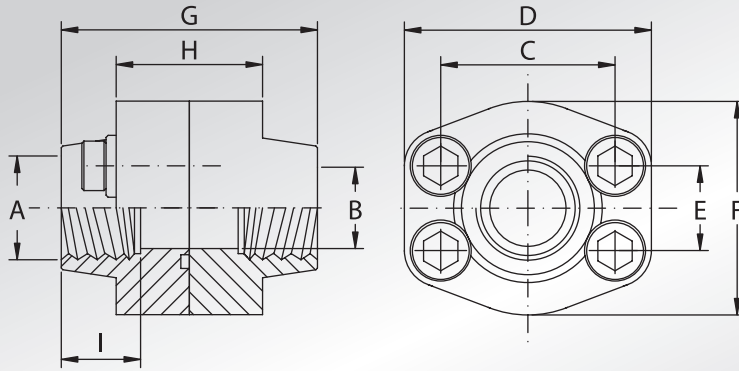


**DOPPIE FLANGE
FILETTATE
GAS**



**BSP
THREADED
DOUBLE FLANGES**



Pressione max di esercizio raccomandata Kg/cm ²	Grandezza	Tipo	Dimensioni									Viti		Or tipo	Peso Kg
Maximum recommended working pressure Kg/cm ²	Size	Type	Dimensions									Screws		Or type	Weight Kg
			A	B	C	D	E	F	G	H	I	Metric	Unc		
SERIE 3000															
345	1/2"	DFS080G	1/2" GAS	13	38,10	57	17,48	46	72	32	19	M8x30	5/16"x1"1/4	4075	0,57
345	1/2"	DFS080G038	3/8" GAS	13	38,10	57	17,48	46	72	32	19	M8x30	5/16"x1"1/4	4075	0,61
345	3/4"	DFS100G	3/4" GAS	19	47,63	65	22,23	50	72	36	19	M10x35	3/8"x1"1/2	4100	0,90
345	3/4"	DFS100G012	1/2" GAS	13	47,63	65	22,23	50	72	36	19	M10x35	3/8"x1"1/2	4100	0,97
345	1"	DFS102G	1" GAS	25	52,37	70	26,19	55	76	36	22	M10x35	3/8"x1"1/2	4131	1,06
345	1"	DFS102G034	3/4" GAS	19	52,37	70	26,19	55	70	42	19	M10x40	3/8"x1"1/2	4131	1,19
276	1"1/4	DFS104G	1"1/4 GAS	32	58,72	79	30,18	68	82	42	22	M10x40	7/16"x1"3/4	4150	1,50
276	1"1/4	DFS104G100	1" GAS	25	58,72	81	30,18	65	84	50	22	M10x40	7/16"x1"3/4	4150	1,78
207	1"1/2	DFS106G	1"1/2 GAS	38	69,85	93	35,71	78	90	50	24	M12x45	1/2"x1"3/4	4187	2,37
207	1"1/2	DFS106G114	1"1/4 GAS	32	69,85	95	35,71	78	90	54	22	M12x45	1/2"x1"3/4	4187	2,61
207	2"	DFS108G	2" GAS	51	77,77	102	42,88	90	90	50	30	M12x45	1/2"x1"3/4	4225	2,61
207	2"	DFS108G112	1"1/2 GAS	38	77,77	102	42,88	90	90	50	24	M12x45	1/2"x1"3/4	4225	3,31
172	2"1/2	DFS110G	2"1/2 GAS	63	88,90	114	50,80	105	100	50	30	M12x45	1/2"x1"3/4	4275	3,45
173	2"1/2	DFS110G200	2" GAS	51	88,90	114	50,80	105	100	50	30	M12x45	1/2"x1"3/4	4275	4,53
138	3"	DFS112G	3" GAS	73	106,38	134	61,93	124	100	54	34	M16x50	5/8"x2"	4337	5,09
138	3"	DFS112G212	2"1/2 GAS	63	106,38	134	61,93	124	100	54	30	M16x50	5/8"x2"	4337	5,65
34	3"1/2	DFS114G	3"1/2 GAS	89	120,65	152	69,85	136	96	54	34	M16x50	5/8"x2"	4387	5,36
34	3"1/2	DFS114G300	3" GAS	73	120,65	152	69,85	136	96	54	34	M16x50	5/8"x2"	4387	7,08
34	4"	DFS116G	4" GAS	99	130,18	162	77,77	146	96	54	34	M16x50	5/8"x2"	4437	6,08
34	4"	DFS116G312	3"1/2 GAS	89	130,18	162	77,77	146	96	54	34	M16x50	5/8"x2"	4437	7,12
34	5"	DFS118G	5" GAS	120	152,40	184	92,08	180	100	56	30	M16x55	5/8"x2"1/4	4537	12,12

SERIE 6000

414	1/2"	DFS401G012	1/2" GAS	13	40,49	57	18,24	46	72	32	19	M8x30	5/16"x1"1/4	4075	0,57
414	1/2"	DFS401G038	3/8" GAS	13	40,49	57	18,24	46	72	32	19	M8x30	5/16"x1"1/4	4075	0,63
414	3/4"	DFS402G	3/4" GAS	19	50,80	71	23,80	55	70	42	22	M10x40	3/8"x1"1/2	4100	1,19
414	3/4"	DFS402G012	1/2" GAS	13	50,80	71	23,80	55	70	42	19	M10x40	3/8"x1"1/2	4100	1,29
414	1"	DFS403G	1" GAS	25	57,15	81	27,76	65	84	50	24	M12x45	7/16"x1"3/4	4131	1,88
414	1"	DFS403G034	3/4" GAS	19	57,15	81	27,76	65	84	50	22	M12x45	7/16"x1"3/4	4131	1,94
414	1"1/4	DFS404G	1"1/4 GAS	32	66,68	95	31,75	78	90	54	25	M14x45	-	4150	2,63
414	1"1/4	DFS404GL13	1"1/4 GAS	32	66,68	95	31,75	78	90	54	25	M12x45	1/2"x1"3/4	4150	2,63
414	1"1/4	DFS404G100	1" GAS	25	66,68	95	31,75	78	90	54	24	M14x45	-	4150	2,89
414	1"1/4	DFS404G100L13	1" GAS	25	66,68	95	31,75	78	90	54	24	M12x45	1/2"x1"3/4	4150	2,89
414	1"1/2	DFS405G	1"1/2 GAS	38	79,38	112	36,50	94	100	60	28	M16x55	5/8"x2"1/4	4187	4,14
414	1"1/2	DFS405G114	1"1/4 GAS	32	79,38	112	36,50	94	100	60	25	M16x55	5/8"x2"1/4	4187	4,41
414	2"	DFS406G	2" GAS	51	96,82	134	44,45	114	130	74	30	M20x70	3/4"x2"3/4	4225	7,65
414	2"	DFS406G112	1"1/2 GAS	38	96,82	134	44,45	114	130	74	28	M20x70	3/4"x2"3/4	4225	8,63
414	2"1/2	DFS507G *	2"1/2 GAS	63	123,80	180	58,70	152	160	96	35	M24x80	7/8"x3"1/4	4275	15,85
414	3"	DFS508G *	3" GAS	73	152,40	208	71,40	178	180	116	40	M30x100	1"1/8"x3"1/2	4337	26,2

**DESIGNAZIONE PER ORDINE
DESIGNATION FOR ORDER**

Materiale / Material

NOTE / NOTES

Flangia + contoflangia + set viti metriche
Flange + counter-flange + metric screws set

DFS...GM

DFX...GM

set viti unc disponibili solo in acciaio al carbonio
unc screws set available only in carbon steel

Flangia + contoflangia + set viti unc
Flange + counter-flange + unc screws set

DFS...GU

DFX...GU

*set viti disponibili solo metriche in acciaio al carbonio
*screws set available only metric in carbon steel