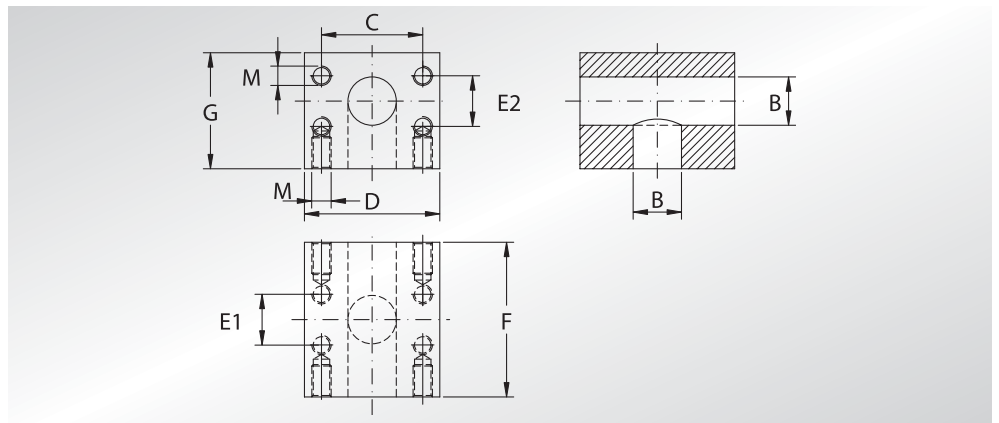




# BLOCCHI SAE A "T"

## SAE "T" BLOCKS



Pressione max di esercizio raccomandata Kg/cm <sup>2</sup>	Grandezza	Tipo	Dimensioni								Peso Kg
			B	C	D	E1	E2	F	G	M	
Maximum recommended working pressure Kg/cm <sup>2</sup>	Size	Type	Dimensions								Weight Kg

### SERIE 3000

345	3/4"	TBL302302	19	47,60	65	22,23	22,23	75	55	M10	1,80
345	1"	TBL303303	25	52,37	70	26,19	26,19	80	60	M10	2,30
276	1"1/4	TBL304304	32	58,79	80	30,18	30,18	90	70	M10	3,90
207	1"1/2	TBL305305	38	69,85	95	35,71	35,71	110	85	M12	6,30
207	2"	TBL306306	50	77,77	110	42,88	42,88	120	100	M12	8,30

### SERIE 6000

400	3/4"	TBL602602	19	50,80	72	23,80	23,80	70	55	M10	1,70
400	1"	TBL603603	23	57,15	82	27,76	27,76	80	64	M12	2,90
400	1"1/4	TBL604604	30	66,68	100	31,75	31,75	92	72	M14	3,80
400	1"1/2	TBL605605	38	79,38	110	36,50	36,50	98	100	M16	8,90
400	2"	TBL606606	50	96,82	133	44,45	44,45	140	105	M20	12,70

DESIGNAZIONE PER ORDINE DESIGNATION FOR ORDER	Materiale / Material A105 o similare (or similar)
--	--

NOTE / NOTES

Blocco sae  
Sae block

TBL.....