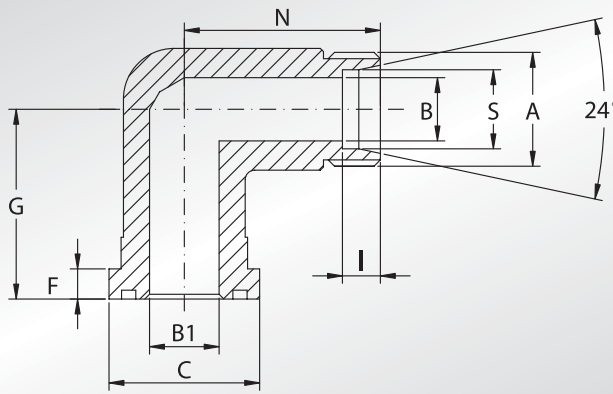


**CODOLI FILETTATI  
METRICI 90°  
DIN 3901-3902  
ZINCATI**



**90° DIN 3901-3902  
METRIC THREADED  
YELLOW ZINKED  
ADAPTERS**



Pressione max di esercizio raccomandata Kg/cm <sup>2</sup>	Grandezza	Tipo	Dimensioni									Or tipo
Maximum recommended working pressure Kg/cm <sup>2</sup>	Size	Type	Dimensions									Or type
			A	B	B1	C	F	G	I	N	S	

**SERIE 3000**

315	1/2"	WFG3001L15	M22x1,5	12	11	30,2	6,73	39	7	36	15	4075
350	1/2"	WFG3001S16	M24x1,5	12	11	30,2	6,73	39	8,5	38	16	4075
315	3/4"	WFG3002L18	M26x1,5	15	19	38,1	6,73	42	7,5	39	18	4100
160	3/4"	WFG3002L22	M30x2	19	19	38,1	6,73	42	7,5	41	22	4100
350	3/4"	WFG3002S20	M30x2	16	19	38,1	6,73	42	10,5	43	20	4100
350	3/4"	WFG3002S25	M36x2	17	19	38,1	6,73	42	12	45	25	4100
160	1"	WFG3003L28	M36x2	24	25	44,4	6,73	45	7,5	44	28	4131
350	1"	WFG3003S25	M36x2	20	25	44,4	8	45	12	50	25	4131
350	1"	WFG3003S30	M42x2	24	25	44,4	8	45	13,5	50	30	4131
160	1"1/4	WFG3004L35	M45x2	30	27	50,8	8	50	10,5	57	35	4150
280	1"1/4	WFG3004S25	M36x2	20	27	50,8	8	50	12	55	25	4150
280	1"1/4	WFG3004S30	M42x2	25	27	50,8	8	50	13,5	57	30	4150
280	1"1/4	WFG3004S38	M52x2	28	27	50,8	8	50	16	59	38	4150
160	1"1/2	WFG3005L42	M52x2	36	36	60,3	8	76	11	67	42	4187
210	1"1/2	WFG3005S38	M52x2	32	36	60,3	8	76	16	72	38	4187

**SERIE 6000**

400	1/2"	WFG6001S16	M24x1,5	12	12	31,8	7,75	39	8,5	37,9	16	4075
400	3/4"	WFG6002S16	M24x1,5	12	17	41,3	8,76	48	8,5	45	16	4100
400	3/4"	WFG6002S20	M30x2	16	17	41,3	8,76	48	10,5	46	20	4100
400	3/4"	WFG6002S25	M36x2	17	17	41,3	8,76	48	12	48	25	4100
400	1"	WFG6003S25	M36x2	20	24	47,6	9,53	60	12	53	25	4131
400	1"	WFG6003S30	M42x2	24	24	47,6	9,53	60	13,5	55	30	4131
400	1"1/4	WFG6004S30	M42x2	25	31	54,0	10,29	68	13,5	58	30	4150
400	1"1/4	WFG6004S38	M52x2	30	31	54,0	10,29	68	16	61	38	4150
400	1"1/2	WFG6005S38	M52x2	30	36	63,5	12,57	76	16	72	38	4187

**DESIGNAZIONE PER ORDINE  
DESIGNATION FOR ORDER**

Codolo con sede o-ring  
Adapter with o-ring groove

**Materiale / Material**

**ST52.3**

**WFG...L/S**

**NOTE / NOTES**

Rivestimento superficiale: zincatura  
Superficial coating: zinking

**ESECUZIONE SOLO SU RICHIESTA:  
MINIMO 50 PEZZI PER TIPO**

**EXECUTION ONLY ON REQUEST:  
MINIMUM 50 PIECES FOR TYPE**