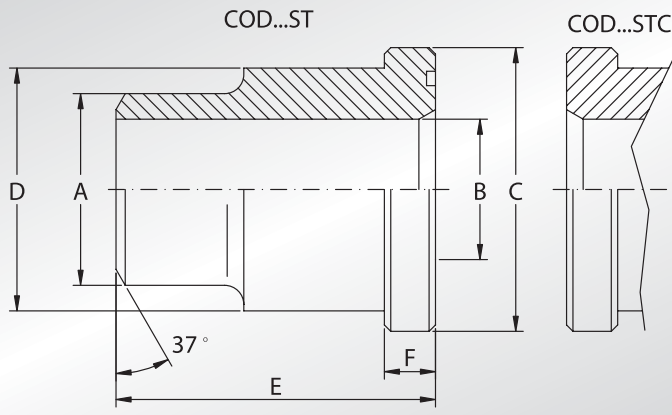




**WELD ON CETOP
ADAPTERS**



| Pressione max di esercizio raccomandata Kg/cm ² | Grandezza | Tipo | Dimensioni | | | | | | Or tipo | Peso Kg |
|--|-----------|------|------------|---|---|---|---|---|---------|-----------|
| Maximum recommended working pressure Kg/cm ² | Size | Type | Dimensions | | | | | | Or type | Weight Kg |
| | | | A | B | C | D | E | F | | |

SERIE 3000

| | | | | | | | | | | |
|-----|-------|-------------------|-----|------|-------|------|-----|------|------|------|
| 250 | 3/8" | COD38ST250 | 18 | 12,5 | 24,5 | 18 | 30 | 7,3 | 3068 | 0,05 |
| 250 | 1/2" | COD12ST250 | 22 | 15 | 30,2 | 24 | 30 | 7,3 | 4075 | 0,07 |
| 250 | 3/4" | COD34ST250 | 28 | 20 | 38,1 | 31,5 | 35 | 7,3 | 4100 | 0,13 |
| 250 | 1" | COD1ST250 | 35 | 25 | 44,4 | 38 | 40 | 8,6 | 4131 | 0,21 |
| 250 | 1"1/4 | COD114ST250 | 43 | 32 | 50,8 | 43 | 45 | 8,6 | 4150 | 0,27 |
| 250 | 1"1/2 | COD112ST250 | 50 | 38 | 60,3 | 50 | 50 | 8,6 | 4187 | 0,39 |
| 250 | 2" | COD2ST250 | 62 | 47 | 71,4 | 62 | 60 | 10,6 | 4225 | 0,69 |
| 250 | 2"1/2 | COD212ST250 | 76 | 58 | 87,2 | 76 | 70 | 10,6 | 4275 | 1,16 |
| 250 | 3" | COD3ST250 | 90 | 70 | 101,6 | 90 | 80 | 10,6 | 4337 | 1,73 |
| 250 | 3"1/2 | COD312ST250 | 102 | 80 | 119,0 | 102 | 90 | 19,0 | 4337 | 2,67 |
| 250 | 4" | COD4ST250 | 114 | 90 | 131,0 | 114 | 105 | 22,5 | 4387 | 3,75 |
| 250 | 4" | COD4ST250(OR6387) | 114 | 90 | 131,0 | 114 | 105 | 22,5 | 6387 | 3,75 |

SERIE 6000

| | | | | | | | | | | |
|-----|-------|---------------------|-----|----|-------|-----|-----|------|------|------|
| 400 | 3/8" | COD38ST400 | 18 | 11 | 26,0 | 18 | 35 | 8,4 | 3068 | 0,07 |
| 400 | 1/2" | COD12ST400 | 22 | 14 | 31,8 | 24 | 40 | 8,4 | 4075 | 0,11 |
| 400 | 3/4" | COD34ST400 | 28 | 18 | 39,5 | 32 | 45 | 9,4 | 4100 | 0,20 |
| 400 | 1" | COD1ST400 | 35 | 22 | 47,6 | 38 | 50 | 10,1 | 4131 | 0,32 |
| 400 | 1"1/4 | COD114ST400 | 44 | 29 | 54,0 | 44 | 55 | 10,9 | 4150 | 0,44 |
| 400 | 1"1/2 | COD112ST400 | 51 | 35 | 63,5 | 51 | 60 | 13,2 | 4187 | 0,63 |
| 400 | 2" | COD2ST400 | 61 | 43 | 79,4 | 67 | 70 | 13,7 | 4225 | 1,21 |
| 400 | 2"1/2 | COD212ST400 | 80 | 53 | 94,2 | 80 | 80 | 17,6 | 4275 | 2,04 |
| 400 | 2"1/2 | COD212ST400(OR6275) | 80 | 53 | 94,2 | 80 | 80 | 17,6 | 6275 | 2,04 |
| 400 | 3" | COD3ST400 | 90 | 58 | 104,0 | 90 | 90 | 17,6 | 4275 | 2,93 |
| 400 | 3" | COD3ST400(OR6300) | 90 | 58 | 104,0 | 90 | 90 | 17,6 | 6300 | 2,93 |
| 400 | 3"1/2 | COD312ST400 | 102 | 63 | 119,0 | 102 | 90 | 19 | 4275 | 4,00 |
| 400 | 4" | COD4ST400 | 114 | 74 | 131,0 | 114 | 105 | 22,5 | 4337 | 5,45 |
| 400 | 4" | COD4ST400(OR6350) | 114 | 74 | 131,0 | 114 | 105 | 22,5 | 6350 | 5,45 |

**DESIGNAZIONE PER ORDINE
DESIGNATION FOR ORDER**

Codolo con sede o-ring
Adapter with o-ring groove

Codolo senza sede o-ring
Adapter without o-ring groove

Materiale / Material

A105 o similare (or similar)

AISI 316L

COD...ST

CODX...ST

COD...STC

CODX...STC

NOTE / NOTES