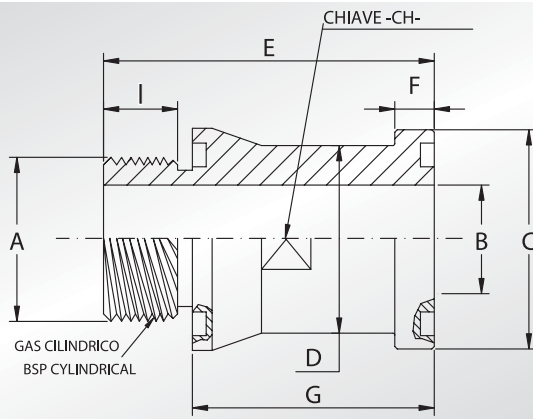


**CODOLI FILETTATI GAS  
CILINDRICO DOPPIA  
SEDE O-R LUNGO**



**BSP CYLINDRICAL  
THREADED LONG  
ADAPTERS WITH  
DOUBLE O-RING SEAT**



Pressione max di esercizio raccomandata Kg/cm <sup>2</sup>	Grandezza	Tipo	Dimensioni										Or tipo	Peso Kg
Maximum recommended working pressure Kg/cm <sup>2</sup>	Size	Type	Dimensions										Or type	Weight Kg
			A	B	C	D	E	F	G	I	CH			

**SERIE 3000**

345	1/2"	SFS301G20RG100	1/2"	8	30,2	24	115	6,73	100	12	22	4075
345	3/4"	SFS302G20RG100	3/4"	13	38,1	32	116	6,73	100	13	27	4100
345	1"	SFS303G20RG100	1"	20	44,4	38	118	8,00	100	15	36	4131
276	1"1/4	SFS304G20RG100	1"1/4	24	50,8	43	119	8,00	100	15	41	4150
207	1"1/2	SFS305G20RG100	1"1/2	30	60,3	49	122	8,00	100	18	46	4187
207	2"	SFS306G20RG100	2"	38	71,4	61	122	9,53	100	18	55	4225

**SERIE 6000**

414	1/2"	SFS601G20RG100	1/2"	8	31,8	24	115	7,75	100	12	22	4075
414	3/4"	SFS602G20RG100	3/4"	12	41,3	32	117	8,76	100	14	27	4100
414	1"	SFS603G20RG100	1"	19	47,6	38	118	9,53	100	15	36	4131
414	1"1/4	SFS604G20RG100	1"1/4	24	54,0	44	119	10,29	100	15	41	4150
414	1"1/2	SFS605G20RG100	1"1/2	28	63,5	51	122	12,57	100	18	46	4187
414	2"	SFS606G20RG100	2"	38	79,4	67	122	12,57	100	18	55	4225

**DESIGNAZIONE PER ORDINE  
DESIGNATION FOR ORDER**

Codolo filettato gas cilindrico con doppia sede o-ring lungo  
BSP cylindrical threaded long adapter with double o-ring seat

**Materiale / Material**

A105 o similare (or similar)	AISI 316L
<b>SFS...G20RG100</b>	<b>SFX...G20RG100</b>

**NOTE / NOTES**

Rivestimento superficiale: zincatura.  
Superficial coating: zinking.