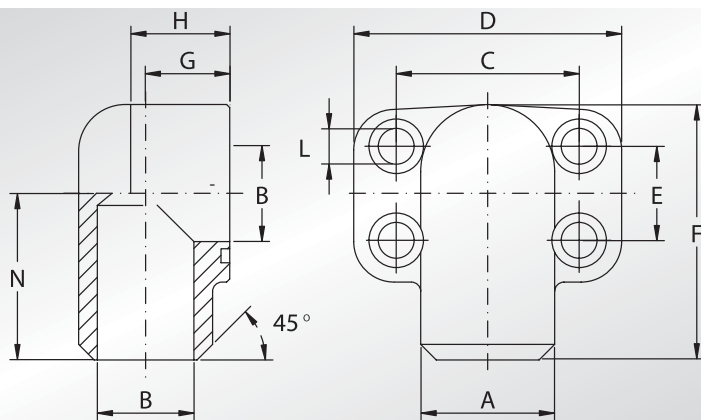


**FLANGE A 90°
A SALDARE
DI TESTA**



**WELD ON
90° FLANGES**



Pressione max di esercizio raccomandata Kg/cm ²	Grandezza	Tipo	Dimensioni										Viti		Or tipo	Peso Kg
Maximum recommended working pressure Kg/cm ²	Size	Type	Dimensions										Screws		Or type	Weight Kg
			A	B	C	D	E	F	G	H	L	N	Metric	Unc		

SERIE 3000

345	3/4"	AFS20090ST	27,2	19	47,63	70	22,23	63	23	21	11	41	M10x40	—	3100	0,65
345	1"	AFS20290ST	34,5	23	52,37	75	26,19	72	25	24	11	48	M10x40	—	4112	0,85
276	1"1/4	AFS20490ST	43,0	31	58,72	86	30,18	82	27	25	11,5	54	M10x45	—	4150	1,15
207	1"1/2	AFS20690ST	50,0	35	69,85	97	35,71	92	31,5	29	14,0	57	M12x60	—	4187	1,85
207	2"	AFS20890ST	65,0	48	77,77	100	42,88	99	37,5	50	14,0	63	M12x70	—	4225	2,15

SERIE 6000

414	3/4"	AFS70090ST	28,0	19	50,80	71	23,80	70	22	19	11	40	M10x35	3/8x1"1/2	4100	0,50
414	1"	AFS70290ST	34,0	25	57,15	81	27,76	82	27	24	13	47	M12x45	7/16x1"3/4	4131	0,80
375	1"1/4	AFS70490ST	42,0	32	66,68	95	31,75	95	32	27	15 *	56	M14x45	1/2x1"3/4	4150	1,20
320	1"1/2	AFS70690ST	48,0	38	79,38	113	36,50	115	40	30	17	68	M16x55	5/8x2"	4187	1,95

**DESIGNAZIONE PER ORDINE
DESIGNATION FOR ORDER**

Materiale / Material

NOTE / NOTES

Solo flangia
Only flange

AFS...90ST

* Per viti unc L=13,5
* For unc screws L=13,5

Flangia completa di viti metriche, grower e o-ring
Flange complete of metric screws, grower type washers and o-ring

AFS...90STM

Flangia completa di viti unc, grower e o-ring
Flange complete of unc screws, grower type washers and o-ring

AFS...90STU