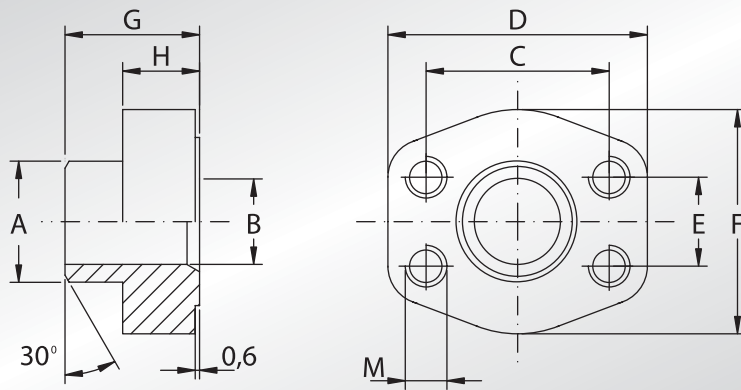


**CONTROFLANGE
A SALDARE
DI TESTA
TUBO METRICO
FORO CILINDRICO**



**METRIC PIPE
CYLINDRIC
HOLE WELD ON
COUNTER-FLANGES**



Pressione max di esercizio raccomandata Kg/cm ²	Grandezza	Tipo	Dimensioni										Peso Kg
Maximum recommended working pressure Kg/cm ²	Size	Type	Dimensions										Weight Kg
			A	B	C	D	E	F	G	H	M		

SERIE 3000

												Metric	Unc	
345	3/4"	GFS100SRE25	25	19	47,63	65	22,23	50	36	18	M10	3/8		0,39
345	1"	GFS102SRE30	30	22	52,37	70	26,19	55	38	18	M10	3/8		0,45
276	1"1/4	GFS104SRE38	38	30	58,72	79	30,18	68	41	21	M10	7/16		0,69
207	1"1/2	GFS106SRE42	42	36	69,85	93	35,71	78	44,5	24,5	M12	1/2		1,05
207	1"1/2	GFS106SRE48	49	38	69,85	93	35,71	78	44,5	24,5	M12	1/2		1,05
207	2"	GFS108STRE48	49	42	77,77	102	42,88	90	45	25	M12	1/2		1,22
207	2"	GFS108SRE60	61	49	77,77	102	42,88	90	45	25	M12	1/2		1,22
172	2"1/2	GFS110SRE76	77	62	88,90	114	50,80	105	50	25	M12	1/2		1,63
138	3"	GFS112STRE76	77	70	106,38	134	61,93	124	51	26	M16	5/8		2,33
138	3"	GFS112SRE76	77	62	106,38	134	61,93	124	51	26	M16	5/8		2,33
34	3"1/2	GFS114STRE76	77	70	120,65	152	69,85	136	48	26	M16	5/8		2,49
34	3"1/2	GFS114STRE88	90	82	120,65	152	69,85	136	48	26	M16	5/8		2,49
34	4"	GFS116STRE76	77	70	130,18	162	77,77	146	48	26	M16	5/8		2,85
34	4"	GFS116STRE88	90	82	130,18	162	77,77	146	48	26	M16	5/8		2,85

SERIE 6000

414	1/2"	GFS401SRE20	20	14	40,49	57	18,24	46	34	16	M8	5/16		0,25
414	3/4"	GFS402SRE20	20	14	50,80	71	23,80	55	35	21	M10	3/8		0,52
414	3/4"	GFS402SRE25	25	17	50,80	71	23,80	55	35	21	M10	3/8		0,52
414	1"	GFS403SRE25	25	19	57,15	81	27,76	65	42	25	M12	7/16		0,70
414	1"	GFS403SRE30	30	22	57,15	81	27,76	65	42	25	M12	7/16		0,70
414	1"1/4	GFS404SRE38	38	28	66,68	95	31,75	78	44	25	M14	1/2		1,08
414	1"1/4	GFS404SRE38B26	38	26	66,68	95	31,75	78	44	25	M14	1/2		1,08
414	1"1/2	GFS405SRE38	38	28	79,38	112	36,50	94	56	28	M16	5/8		1,76
414	1"1/2	GFS405SRE48B32	48,6	32	79,38	112	36,50	94	56	28	M16	5/8		1,76
414	2"	GFS406SRE60	61	40	96,82	134	44,45	114	65	37	M20	3/4		2,98
414	2"1/2	GFS507SRE76	76,6	50	123,80	180	58,70	152	80	45	M24	—		6,50

**DESIGNAZIONE PER ORDINE
DESIGNATION FOR ORDER**

Controflangia con fori di fissaggio filettati metrici
Counter-flange with metric threaded fixing holes

Materiale / Material

ST52.3 **AISI 316L**

GFS...SRE / STRE **GFX...SRE / STRE**

Controflangia con fori di fissaggio filettati unc
Counter-flange with unc threaded fixing holes

GFS...SREU / STREU **GFX...SREU / STREU**

NOTE / NOTES

- (•) Solo in ST52.3
- (•) Only in ST52.3