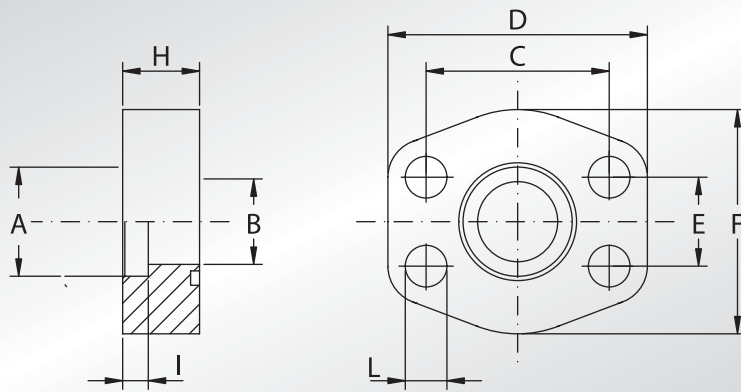


**FLANGE PIATTE
A SALDARE
DI TASCA**



**WELD IN FLAT
FLANGES**



| Pressione max di esercizio raccomandata Kg/cm ² | Grandezza | Tipo | Dimensioni | | | | | | | | | | Viti | Or tipo | Peso Kg | |
|------------------------------------------------------------|-----------|--------|------------|----|-------|-----|-------|----|------|---|------|--------|--------|---------|-----------|--|
| Maximum recommended working pressure Kg/cm ² | Size | Type | Dimensions | | | | | | | | | | Screws | Or type | Weight Kg | |
| | | | A | B | C | D | E | F | H | I | L | Metric | | | | |
| SERIE 3000 | | | | | | | | | | | | | | | | |
| 40 | 1/2" | PFS080 | 21,5 | 14 | 38,10 | 56 | 17,48 | 46 | 14 | 3 | 9 | M8x25 | 4075 | 0,12 | | |
| 40 | 3/4" | PFS100 | 27,2 | 19 | 47,63 | 65 | 22,23 | 50 | 12,5 | 3 | 11 | M10x30 | 4100 | 0,20 | | |
| 40 | 1" | PFS102 | 34,0 | 25 | 52,37 | 70 | 26,19 | 55 | 12,5 | 3 | 11 | M10x30 | 4131 | 0,25 | | |
| 40 | 1"1/4 | PFS104 | 42,8 | 32 | 58,72 | 79 | 30,18 | 68 | 12,5 | 3 | 11,5 | M10x30 | 4150 | 0,28 | | |
| 40 | 1"1/2 | PFS106 | 48,6 | 38 | 69,85 | 93 | 35,71 | 78 | 15 | 3 | 13,5 | M12x35 | 4187 | 0,50 | | |
| 40 | 2" | PFS108 | 61,0 | 51 | 77,77 | 102 | 42,88 | 90 | 15 | 5 | 13,5 | M12x35 | 4225 | 0,50 | | |

**DESIGNAZIONE PER ORDINE
DESIGNATION FOR ORDER**

Materiale / Material

NOTE / NOTES

Solo flangia
Only flange

PFS...

PFX...

Flangia completa di viti metriche, grower e o-ring
Flange complete of metric screws, grower type washers and o-ring

PFS...M

PFX...M