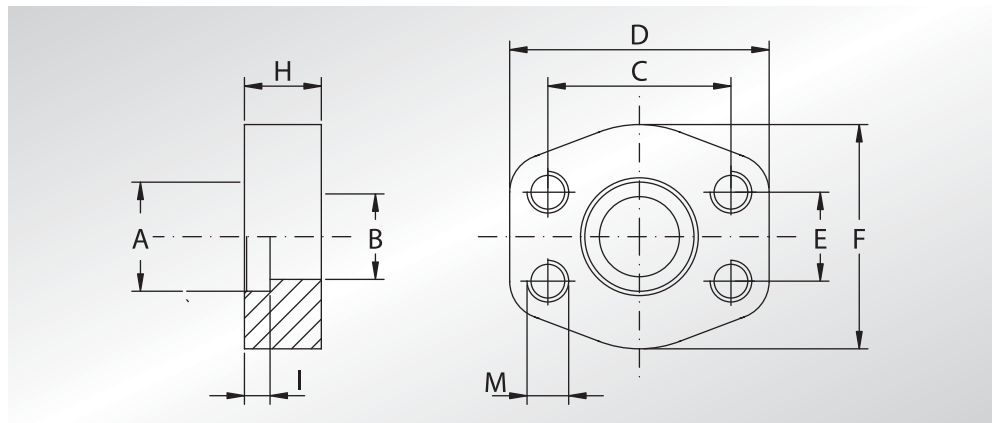




CONTROFLANGE PIATTE A SALDARE DI TASCA

WELD IN FLAT COUNTER-FLANGES



Pressione max di esercizio raccomandata Kg/cm ²	Grandezza	Tipo	Dimensioni										Peso Kg
			Dimensions										
Maximum recommended working pressure Kg/cm ²	Size	Type	A	B	C	D	E	F	H	I	M		Weight Kg
SERIE 3000												Metric	Unc
40	1/2"	GFC080S	22,5	15	38,10	56	17,48	46	14	3	M8	5/16	0,12
40	3/4"	GFC100S	28,5	20	47,63	65	22,23	50	12	4	M10	3/8	0,20
40	1"	GFC102S	35,5	29	52,37	70	26,19	55	12	4	M10	3/8	0,25
40	1"1/4	GFC104S	42,5	34	58,72	79	30,18	68	12	4	M10	7/16	0,28
40	1"1/2	GFC106S	49,0	42	69,85	93	35,71	78	15	4	M12	1/2	0,50
40	2"	GFC108S	61,0	53	77,77	102	42,88	90	15	4	M12	1/2	0,59
40	2"1/2	GFC110S	77,0	64	88,90	114	50,80	105	15	4	M12	1/2	0,72
40	3"	GFC112S	90,0	80	106,38	134	61,93	124	20	5	M16	5/8	1,25
40	3"1/2	GFC114S	103,0	93	120,65	152	69,85	136	20	5	M16	5/8	1,50
40	4"	GFC116S	116,0	105	130,18	162	77,77	146	25	6	M16	5/8	2,15
40	5"	GFC118S	141,0	126	152,40	190	92,08	170	28	8	M16	5/8	3,00

DESIGNAZIONE PER ORDINE DESIGNATION FOR ORDER	Materiale / Material	
	ST52.3	AISI 316L
Controflangia con fori di fissaggio filettati metrici Counter-flange with metric threaded fixing holes	GFC...S	GFCX...S
Controflangia con fori di fissaggio filettati unc Counter-flange with unc threaded fixing holes	GFC...SU	GFCX...SU

NOTE / NOTES