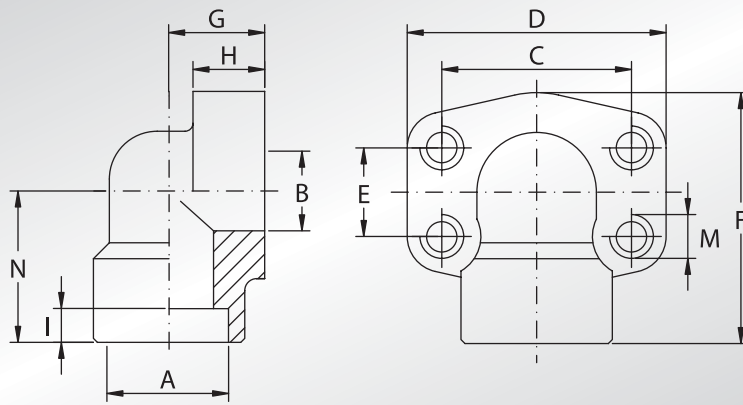


**CONTROFLANGE  
A 90° A SALDARE  
DI TASCA**



**WELD IN 90°  
COUNTER-FLANGES**



Pressione max di esercizio raccomandata Kg/cm <sup>2</sup>	Grandezza	Tipo	Dimensioni											Peso Kg
Maximum recommended working pressure Kg/cm <sup>2</sup>	Size	Type	Dimensions											Weight Kg
			A	B	C	D	E	F	G	H	I	M	N	

**SERIE 3000**

345	1/2"	GFS08090S	21,6	13	38,10	54	17,48	60	20	16	10	M8	37	0,28
345	1/2"	GFS08090S038	17,5	13	38,10	54	17,48	60	20	16	10	M8	37	0,29
345	3/4"	GFS10090S	27,2	19	47,63	65	22,23	63	24	18	10	M10	38	0,45
345	1"	GFS10290S	34,0	25	52,37	70	26,19	70	28	19	12	M10	43	0,56
276	1"1/4	GFS10490S	42,8	32	58,72	79	30,18	85	34	21	14	M10	51	0,89
207	1"1/2	GFS10690S	48,6	38	69,85	93	35,71	95	38	25	16	M12	56	1,18
207	2"	GFS10890S	61,0	51	77,77	110	42,88	110	42	25	18	M12	65	2,06

**SERIE 6000**

414	1/2"	GFS40190S012	21,6	13	40,49	54	18,24	60	20	16	10	M8	37	0,28
414	1/2"	GFS40190S038	17,5	13	40,49	54	18,24	60	20	16	10	M8	37	0,29
414	3/4"	GFS40290S	27,2	19	50,80	70	23,80	70	28	19	12	M10	43	0,69
414	1"	GFS40390S	34,0	25	57,15	79	27,76	85	34	21	14	M12	51	1,11
414	1"1/4	GFS40490S	42,8	32	66,68	93	31,75	95	38	25	16	M14	56	1,45
414	1"1/2	GFS40590S	48,6	38	79,38	110	36,50	110	42	25	18	M16	65	2,75
414	2"	GFS40690S	61,0	51	96,82	134	44,45	132	45	35	25	M20	75	3,85

**DESIGNAZIONE PER ORDINE  
DESIGNATION FOR ORDER**

Controflangia con fori di fissaggio filettati metrici  
Counter-flange with metric threaded fixing holes

**Materiale / Material**

**ST52.3      AISI 316L**

**GFS...90S**

**GFX...90S**

**NOTE / NOTES**