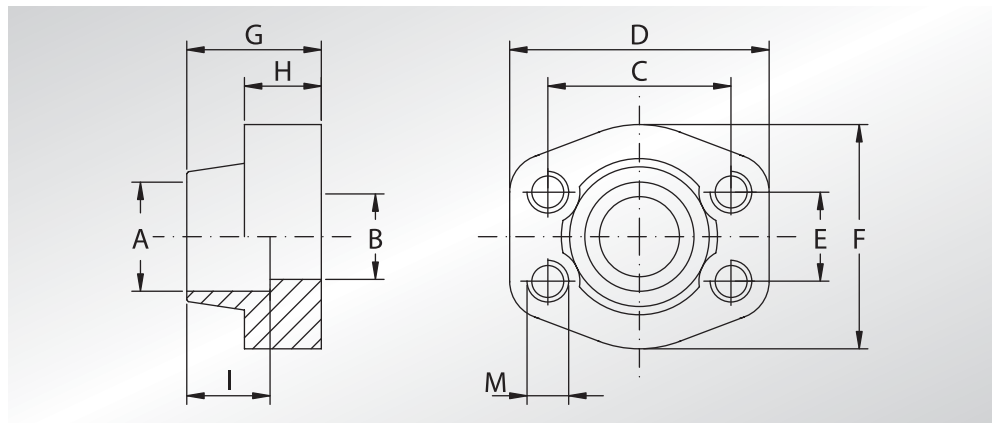




**CONTROFLANGE  
A SALDARE  
DI TASCA  
TUBO METRICO**

**METRIC PIPE  
WELD IN  
COUNTER-FLANGES**



Pressione max di esercizio raccomandata Kg/cm <sup>2</sup>	Grandezza	Tipo	Dimensioni										Peso Kg	
			Dimensions											
Maximum recommended working pressure Kg/cm <sup>2</sup>	Size	Type	A	B	C	D	E	F	G	H	I	M		Weight Kg
<b>SERIE 3000</b>														
345	1/2"	GFS080SA20	20,3	13	38,10	57	17,48	46	36	16	19	M8	5/16	0,26
345	3/4"	GFS100SA25	25,3	19	47,63	65	22,23	50	36	18	19	M10	3/8	0,43
345	1"	GFS102SA30	30,3	25	52,37	70	26,19	55	38	18	19	M10	3/8	0,50
276	1"1/4	GFS104SA38	38,3	32	58,72	79	30,18	68	41	21	22	M10	7/16	0,71
207	1"1/2	GFS106SA50	50,5	38	69,85	93	35,71	78	45	25	24	M12	1/2	1,12
<b>SERIE 6000</b>														
414	1/2"	GFS401SA20	20,3	13	40,49	57	18,24	46	36	16	19	M8	5/16	0,26
414	3/4"	GFS402SA25	25,3	19	50,80	71	23,80	55	35	21	22	M10	3/8	0,54
414	1"	GFS403SA30	30,3	25	57,15	81	27,76	65	42	25	22	M12	7/16	0,82
414	1"1/4	GFS404SA38	38,3	32	66,68	95	31,75	78	45	27	25	M14	1/2	1,28
414	1"1/4	GFS404SA38B26	38	26	66,68	95	31,75	78	45	27	25	M14	1/2	1,32
414	1"1/4	GFS404SA38B28	38	28	66,68	95	31,75	78	45	27	25	M14	1/2	1,32
414	1"1/2	GFS405SA50	50,5	38	79,38	112	36,50	94	50	30	28	M16	5/8	1,94

**DESIGNAZIONE PER ORDINE  
DESIGNATION FOR ORDER**

**Materiale / Material**

**NOTE / NOTES**

Controflangia con fori di fissaggio filettati metrici  
Counter-flange with metric threaded fixing holes

**GFS...SA**

**GFX...SA**

Controflangia con fori di fissaggio filettati unc  
Counter-flange with unc threaded fixing holes

**GFS...SAU**

**GFX...SAU**