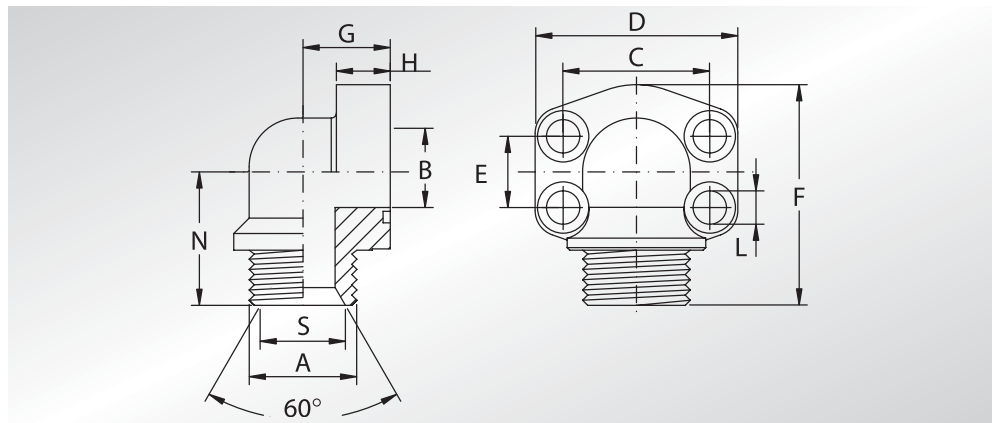




**FLANGE A 90°
A TENUTA CONICA
A 60°
FILETTATE GAS**

**90° FLANGES
WITH 60°
TAPERED SEAT
AND BSP THREAD**



Pressione max di esercizio raccomandata Kg/cm ²	Grandezza	Tipo	Dimensioni											Viti		Or tipo	Peso Kg
Maximum recommended working pressure Kg/cm ²	Size	Type	Dimensions											Screws		Or type	Weight Kg
			A	B	C	D	E	F	G	H	L	N	S	Metric	Unc		

SERIE 3000

345	1/2"	AFS08090B	1/2" GAS	11,5 / 13	38,10	54	17,48	61	20	16	9	38	17,50	M8x30	5/16x1"1/4	4075	0,25
345	1/2"	AFS08090B038	3/8" GAS	8,5 / 13	38,10	54	17,48	61	20	16	9	38	14,00	M8x30	5/16x1"1/4	4075	0,25
345	3/4"	AFS10090B	3/4" GAS	17 / 19	47,63	65	22,23	64	24	18	11	39	22,90	M10x35	3/8x1"1/2	4100	0,38
345	1"	AFS10290B	1" GAS	22 / 25	52,37	70	26,19	70	28	19	11	43	28,70	M10x35	3/8x1"1/2	4131	0,49
276	1"1/4	AFS10490B	1"1/4 GAS	28,5 / 32	58,72	79	30,18	85	34	21	11,5	51	36,80	M10x35	7/16x1"3/4	4150	0,77
207	1"1/2	AFS10690B	1"1/2 GAS	34 / 38	69,85	93	35,71	96	38	25	13,5	56	42,70	M12x35	1/2x1"3/4	4187	1,10

SERIE 6000

414	1/2"	AFS40190B012	1/2" GAS	11,5 / 13	40,49	54	18,24	61	20	16	9	38	17,50	M8x30	5/16x1"1/4	4075	0,28
414	1/2"	AFS40190B038	3/8" GAS	8,5 / 13	40,49	54	18,24	61	20	16	9	38	14,00	M8x30	5/16x1"1/4	4075	0,28
414	3/4"	AFS40290B	3/4" GAS	17 / 19	50,80	70	23,80	70	28	19	11	43	22,90	M10x40	3/8x1"1/2	4100	0,69
414	1"	AFS40390B	1" GAS	22 / 25	57,15	79	27,76	85	34	21	13	51	28,70	M12x45	7/16x1"3/4	4131	1,11
414	1"1/4	AFS40490B	1"1/4 GAS	28,5 / 32	66,68	93	31,75	96	38	25	15 *	56	36,80	M14x45	1/2x1"3/4	4150	1,45
414	1"1/2	AFS40590B	1"1/2 GAS	34 / 38	79,38	110	36,50	110	42	25	17	65	42,70	M16x50	5/8x2"	4187	2,75

DESIGNAZIONE PER ORDINE DESIGNATION FOR ORDER	Materiale / Material	
	ST52.3	AISI 316L
Solo flangia Only flange	AFS...90B	AFX...90B
Flangia completa di viti metriche, grower e o-ring Flange complete of metric screws, grower type washers and o-ring	AFS...90BM	AFX...90BM
Flangia completa di viti unc, grower e o-ring Flange complete of unc screws, grower type washers and o-ring	AFS...90BU	AFX...90BU

NOTE / NOTES

* Per viti unc L=13,5
* For unc screws L=13,5

set viti unc disponibili solo in acciaio al carbonio.
unc screws set available only in carbon steel.