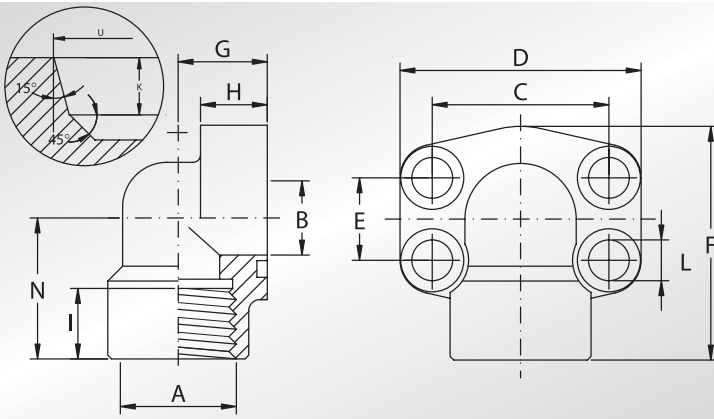


**FLANGE A 90°  
FILETTATE "UN" CON  
FILETTO CILINDRICO  
CON SEDE O-RING**



**"UN" THREADED 90°  
FLANGES WITH  
O-RING GROOVE  
PARALLEL THREAD**



Pressione max di esercizio raccomandata Kg/cm <sup>2</sup>	Grandezza	Tipo	Dimensioni													Viti		Or tipo	Peso Kg
Maximum recommended working pressure Kg/cm <sup>2</sup>	Size	Type	Dimensions													Screws		Or type	Weight Kg
			A	B	C	D	E	F	G	H	I	L	N	U	K	Metric	Unc		

**SERIE 3000**

345	1/2"	AFS08090T	3/4" - 16 UNF	13	38,10	54	17,48	60	20	16	17	9	37	29,6	2,54	M8x30	5/16x1" 1/4	4075	0,28
345	3/4"	AFS10090T	1" 1/16 - 12 UN	19	47,63	65	22,23	63	24	18	23	11	38	29,2	3,3	M10x35	3/8x1" 1/2	4100	0,45
345	1"	AFS10290T	1" 5/16 - 12 UN	25	52,37	70	26,19	70	28	19	23	11	43	35,5	3,3	M10x35	3/8x1" 1/2	4131	0,56
276	1"1/4	AFS10490T	1" 5/8 - 12 UN	32	58,72	79	30,18	79	34	21	23	11,5	51	43,5	3,35	M10x40	7/16x1" 3/4	4150	0,89
207	1"1/2	AFS10690T	1" 7/8 - 12 UN	38	69,85	93	35,71	93	38	25	23	13,5	56,0	49,8	3,4	M12x45	1/2x1" 3/4	4187	1,18

**SERIE 6000**

414	1/2"	AFS40190T	3/4" - 16 UNF	13	40,49	54	18,24	60	20	16	17	9	37	29,6	2,54	M8x30	5/16x1" 1/4	4075	0,28
414	3/4"	AFS40290T	1" 1/16 - 12 UN	19	50,80	70	23,80	70	28	19	23	11	43	29,2	3,3	M10x35	3/8x1" 1/2	4100	0,69
414	1"	AFS40390T	1" 5/16 - 12 UN	25	57,15	79	27,76	85	34	21	23	13	51	35,5	3,3	M12x45	7/16x1" 3/4	4131	1,11
414	1"1/4	AFS40490T	1" 5/8 - 12 UN	32	66,68	93	31,75	95	38	25	23	15 *	56	43,5	3,35	M14x45	1/2x1" 3/4	4150	1,45
414	1"1/2	AFS40590T	1" 7/8 - 12 UN	38	79,38	110	36,50	110	42	25	23	17	65	49,8	3,4	M16x50	5/8x2"	4187	2,75

**DESIGNAZIONE PER ORDINE  
DESIGNATION FOR ORDER**

Solo flangia  
Only flange

Flangia completa di viti metriche, grower e o-ring  
Flange complete of metric screws, grower type washers and o-ring

Flangia completa di viti unc, grower e o-ring  
Flange complete of unc screws, grower type washers and o-ring

**Materiale / Material**

**ST52.3**

**AISI 316L**

**AFS...90T**

**AFX...90T**

**AFS...90TM**

**AFX...90TM**

**AFS...90TU**

**AFX...90TU**

**NOTE / NOTES**

\* Per viti unc L=13,5  
\* For unc screws L=13,5

set viti unc disponibili solo in acciaio al carbonio.  
unc screws set available only in carbon steel.