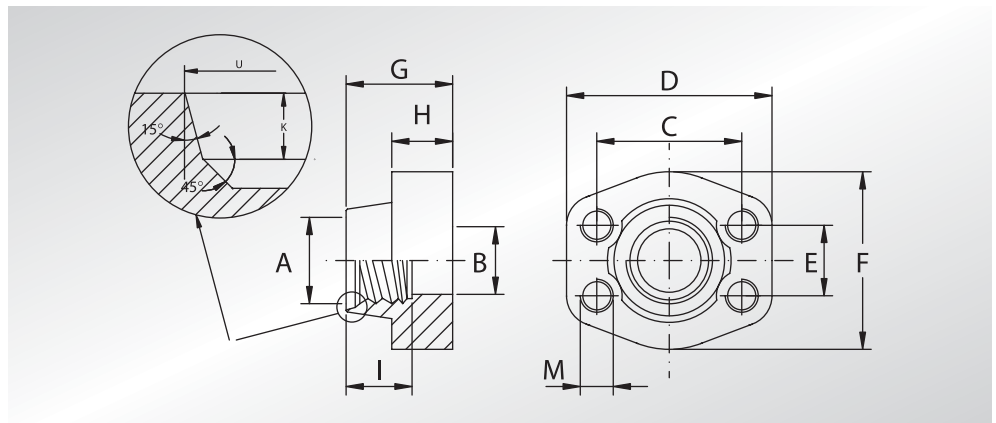




**CONTROFLANGE  
FILETTATE "UN" CON  
FILETTO CILINDRICO  
CON SEDE O-RING**

**"UN" THREADED  
COUNTER-FLANGES  
WITH O-RING  
GROOVE PARALLEL  
THREAD**



Pressione max di esercizio raccomandata Kg/cm <sup>2</sup>	Grandezza	Tipo	Dimensioni													Peso Kg
Maximum recommended working pressure Kg/cm <sup>2</sup>	Size	Type	Dimensions													Weight Kg
			A	B	C	D	E	F	G	H	I	U	K	M		
															<b>Metric</b>	<b>Unc</b>
<b>SERIE 3000</b>																
345	1/2"	GFS080T	3/4" - 16UNF	13	38,10	57	17,48	46	36	16	17	20,6	2,5	M8	5/16	0,26
345	3/4"	GFS100T	1"1/16 - 12UN	19	47,63	65	22,23	50	36	18	23	29,2	3,3	M10	3/8	0,41
345	1"	GFS102T	1"5/16 - 12UN	25	52,37	70	26,19	55	38	18	23	35,5	3,3	M10	3/8	0,49
276	1"1/4	GFS104T	1"5/8 - 12UN	32	58,72	79	30,18	68	41	21	23	43,5	3,3	M10	7/16	0,71
207	1"1/2	GFS106T	1"7/8 - 12UN	38	69,85	93	35,71	78	45	25	23	49,8	3,3	M12	1/2	1,12
<b>SERIE 6000</b>																
414	1/2"	GFS401T	3/4" - 16UNF	13	40,49	57	18,24	46	36	16	17	20,6	2,5	M8	5/16	0,26
414	3/4"	GFS402T	1"1/16 - 12UN	19	50,80	71	23,80	55	35	21	23	29,2	3,3	M10	3/8	0,55
414	1"	GFS403T	1"5/16 - 12UN	25	57,15	81	27,76	65	42	25	23	35,5	3,3	M12	7/16	0,87
414	1"1/4	GFS404T	1"5/8 - 12UN	32	66,68	95	31,75	78	45	27	23	43,5	3,3	M14	1/2	1,21
414	1"1/2	GFS405T	1"7/8 - 12UN	38	79,38	112	36,50	94	50	30	23	49,8	3,3	M16	5/8	1,88

DESIGNAZIONE PER ORDINE DESIGNATION FOR ORDER	Materiale / Material	
	ST52.3	AISI 316L
Controflangia con fori di fissaggio filettati metrici Counter-flange with metric threaded fixing holes	<b>GFS...T</b>	<b>GFX...T</b>
Controflangia con fori di fissaggio filettati unc Counter-flange with unc threaded fixing holes	<b>GFS...TU</b>	<b>GFX...TU</b>

**NOTE / NOTES**